

CUSTOM-MADE EXTRUSION TIPS AND DIES

From Fort Wayne Wire Die, Inc.

Accurate and Consistent Insulation Application

Achieve more accurate and consistent insulation application with custom-made extrusion tips and dies from Fort Wayne Wire Die, Inc. Provide us with your specifications and we'll provide you with long-lasting, custom-made extrusion tips and dies to help your extrusion process run efficiently and economically.

Many Materials, Superior Extrusion Tip Concentricity

We guarantee that all Fort Wayne Wire Die precision natural diamond and polycrystalline diamond extrusion tips are concentric within .0002 inch (0.005 mm) total indicator reading. So you'll be able to achieve more accurate and consistent insulation application. In addition to single crystal natural diamond and polycrystalline diamond, you may also choose tungsten carbide or tool steel materials depending on your application.

To Place Your Order

Provide us with your engineering drawing or use the extrusion tip and die drawings below to communicate the dimensions you require. If you do not have a drawing, follow these steps:

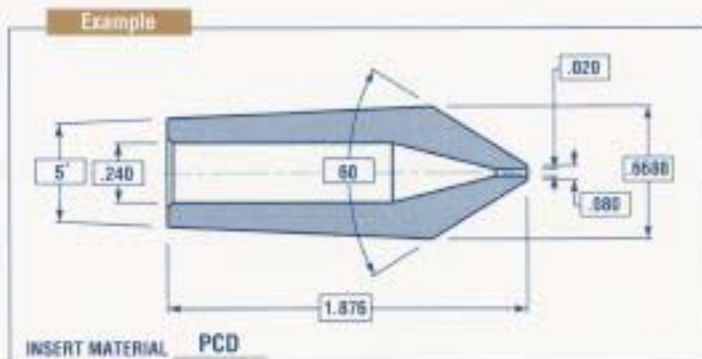
1. Use this specification sheet as a master. Copy the drawings and enlarge them as needed for work sheets or orders.
2. Find the drawing that represents the extrusion tip or die best suited for your application.
3. Locate each dimension guideline and determine whether a length, width, diameter, or angle measurement is needed.
4. Based on new specifications or measurements of old extrusion tips, enter an exact measurement in the box corresponding to each dimension requested. If the hole size is to be concentric with the outside diameter, please specify dimensions of that outside diameter.
5. Indicate the extrusion tip or die insert material in the appropriate box using the following key:

Insert Material Key

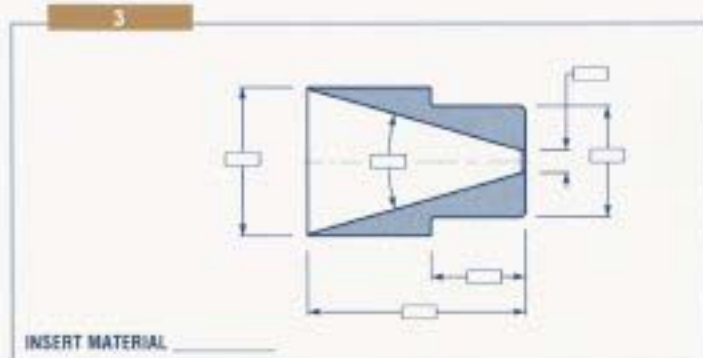
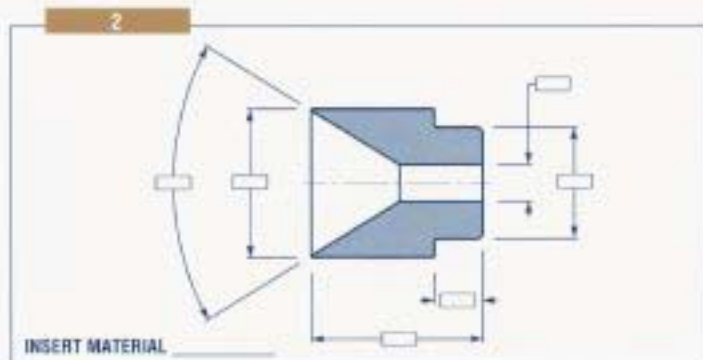
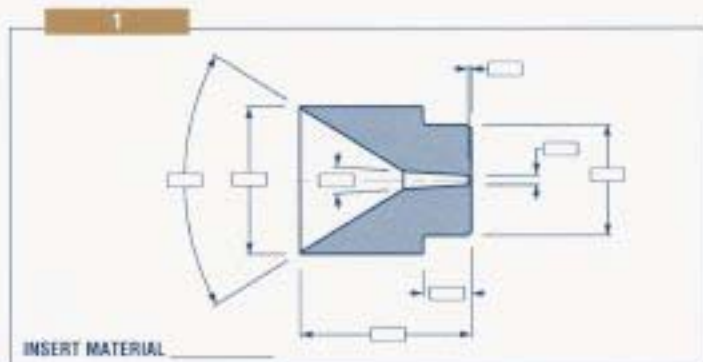
SCND – Single Crystal Natural Diamond
PCD – Polycrystalline Diamond
TC – Tungsten Carbide
TS – Tool Steel

6. Mail or fax your completed drawing to:

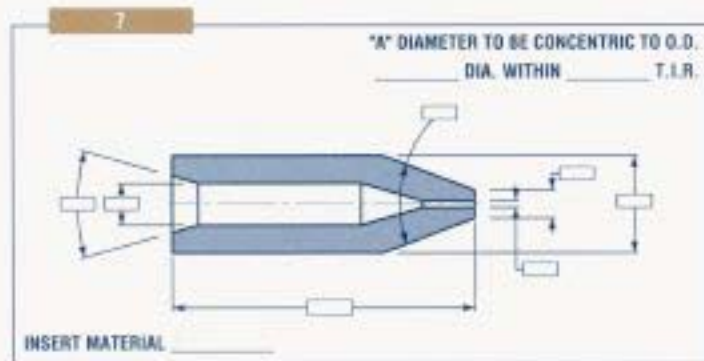
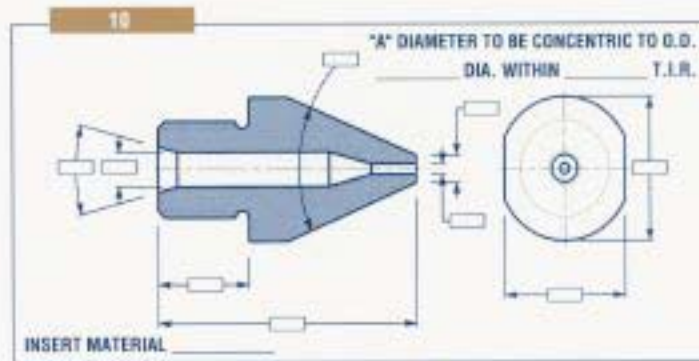
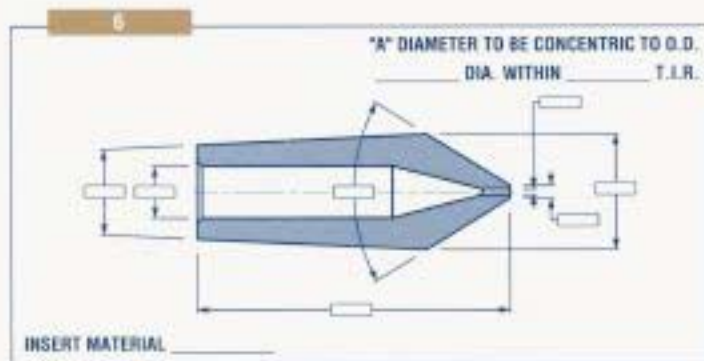
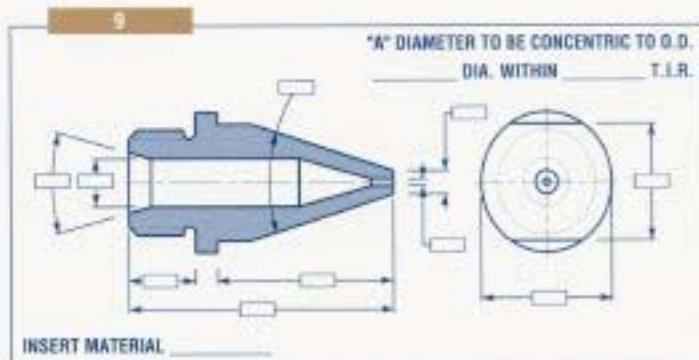
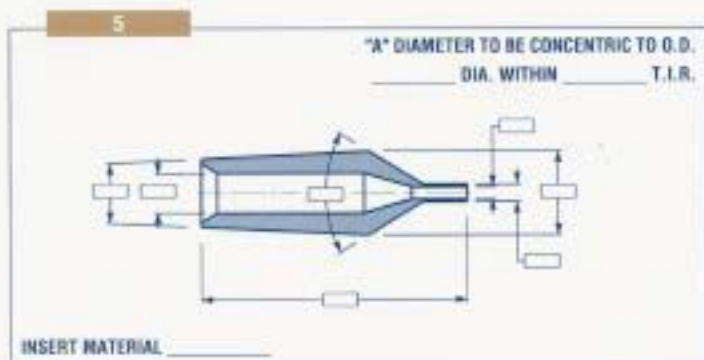
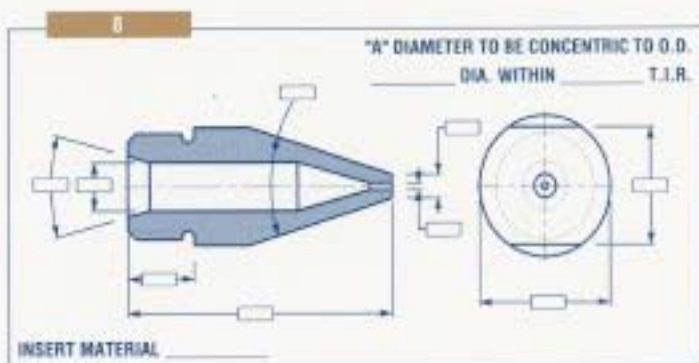
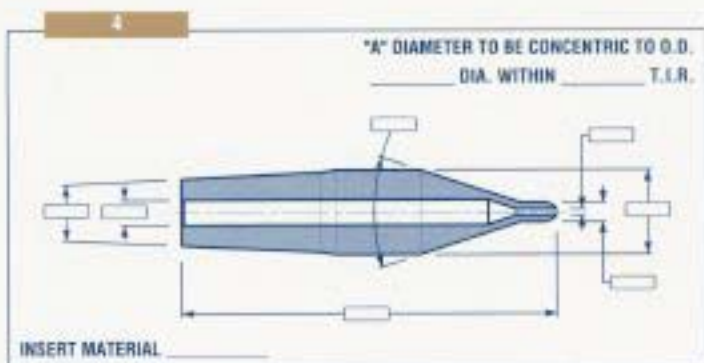
Fort Wayne Wire Die, Inc.
2424 American Way
Fort Wayne, Indiana 46809-3098 U.S.A.
FAX (219) 747-4269



Die Styles



Extrusion Tip Styles



Fort Wayne Wire Die, Inc.

2424 American Way
Fort Wayne, Indiana 46809-3098 U.S.A.
Telephone (219) 747-1681
Telex 23-2660 Cable FWWDIE FAX (219) 747-4269
© 1991 Fort Wayne Wire Die, Inc.